

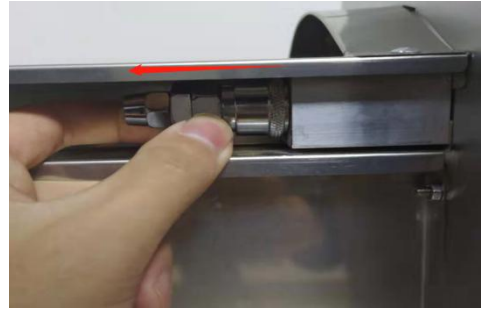
3. After the product works, it needs to be disassembled, cleaned and dried.
(Note:Sharp blade, please be careful !)

Destruction as below

Destruction method



1. Buckle behind the knife basin



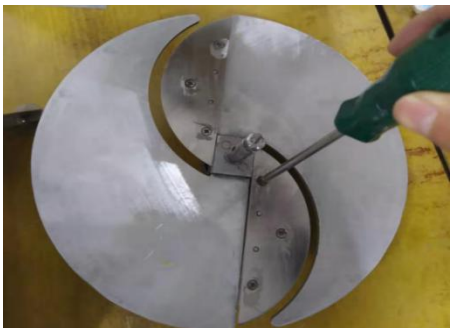
2.Pull out the snap spring



3.Take off the buckle and gasket



4.Disassemble Knife wheel



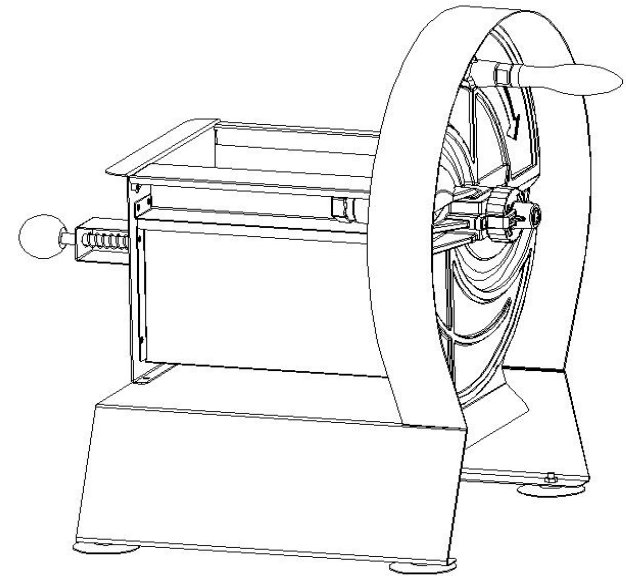
5.Rotate the screw on the blade



6.Remove the blade

SLICER

User Manual

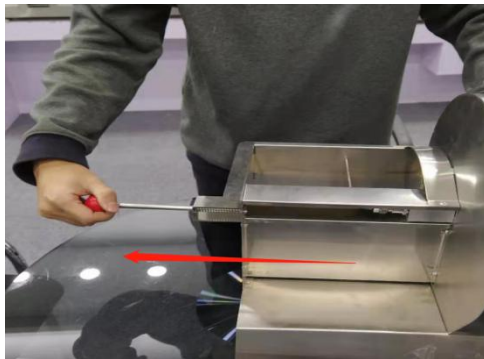


SL-01

Installation:

1. Use a wrench to fix the handle to the cutter head
2. Insert the suction cup at the bottom (Smooth surface can be used directly on the suction cup, non-smooth surface should be fixed with screws)

Method of operation



1.Pull the lever



2.Put into the food



9.Whirl the knob and adjust the thickness



10.Shake the handle for cutting

How to adjust the thickness

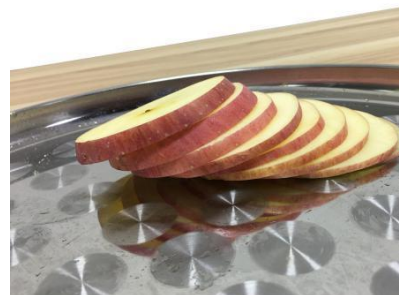
Please see below:



1.The Size was on the knob



2.Clockwise can adjust it thinner
Counterclockwise will be thicker



2.Slice display

Note:When it was working and feel resistance,it means rotating to the bottom ,so only can reverse direction to rotate.otherwise,the adjustment thread will easy to damage !